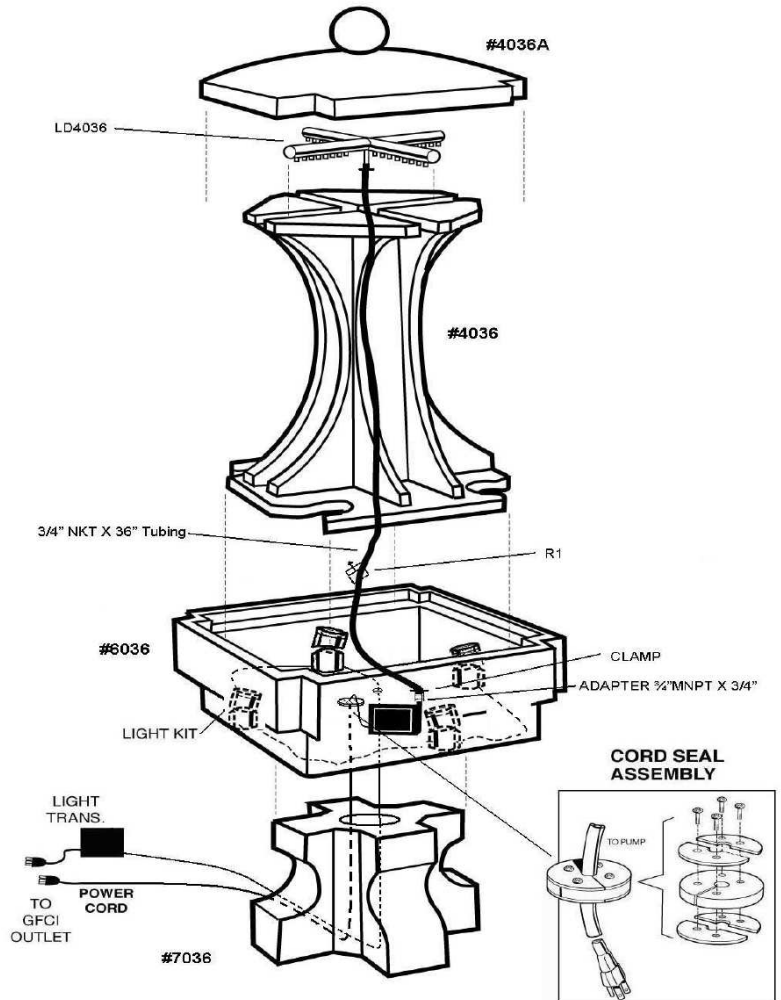


For best results, locate a suitable site for your fountain that is leveled and provides pleasing viewing angles.  
 Note: Always follow local electrical codes and use a GFCI protected outlet.

## 4036F

1. Locate a suitable site for your **La Crosse Fountain**. Site should be leveled and provide a pleasing viewing angle.
2. Locate the 7036 Pedestal in the center of your site. Pedestal must be leveled. Cord relief hole on the 7036 Pedestal will indicate the back of fountain.
3. Place the 6036 Basin on top of the 7036 Pedestal. Place Pump on inner cavity of 6036 Basin and feed its cord through.
4. **Cord Seal:** the cord seal contains a rubber seal, 4 threaded half plates and 4 screws. Unscrew the four screws and separate the four half plates from the rubber seal. Slip the cord through the split and into the hole in the center of the seal (make sure the narrow end is facing the electrical plug). Reinstall the four half plates with the four screws but do not tighten the screws. Insert the seal assembly fully into the hole in the casting, (leave 6"-8" of cord to the inside of the 7036 Pedestal) so that it is flush with inside surface and tighten the screws. The rubber seal will expand to seal the hole. Place the rest of the cord through the small hole locate at the bottom of the 7036 Pedestal.
5. Place Lights in the center of each side of the 6036 Basin and feed cord through slit rubber stopper. Excess cord can be placed in the inner cavity of 7036 Pedestal.
6. Connect Adapter 3/4"MNPT X 3/4" Barb to PS850 Pump. Connect 3/4" NKT X 36" Tubing to Pump and use Clamp to secure Tubing to Pump.
7. Place 4036 Column and feed tubing through 4036 on top of 6036 Basin.
8. Place LD4036 Pipe on top of 4036 Column. Connect 32" length tubing to LD4036 and secured it with Clamp.
9. Place 4036T Top on top of the 4036 Column.
10. Fill 6036 Basin with water. Plug pump into GFCI protected outlet.
11. Adjust R1 Restrictors as necessary to control water flow.



### IMPORTANT - WINTER CARE:

Do not allow water to collect and freeze in fountain bowl(s) or shell(s). Do not allow fountain pieces to sit in a pool of ice. Disassemble entire fountain and pump and store indoors during the winter season.

If you cannot store your fountain indoors during the winter season, you must at least protect it from ice collection or exposure: first, remove the statue(s) and pump, storing them inside if possible. Next, locate the drain plug on the underside of bowl(s) or shell(s). Remove the drain plug to drain any water "trapped" between the walls of the bowl(s) or shell(s). Then fill the bowl(s) or shell(s) with an absorbent material, such as burlap, blankets, etc. Finally, cover the entire fountain with a Henri Fountain Cover. Should condensation droplets form on the inside of the cover, the material will absorb them.

By following these simple and sensible precautions during the winter season, you will protect your fountain for years of beauty and enjoyment!

**CAUTION:** The use of Chlorine or Chlorine Bleach may damage the finish of your fountain. When cleaning your fountain, it is best to test the cleaning agent on an underside or back surface to determine the agent's suitability. We recommend the use of a mild, non-abrasive treatment, such as Henri Lime Remover and Preventer. To avoid foaming, thoroughly rinse the fountain to remove the entire cleaning agent.